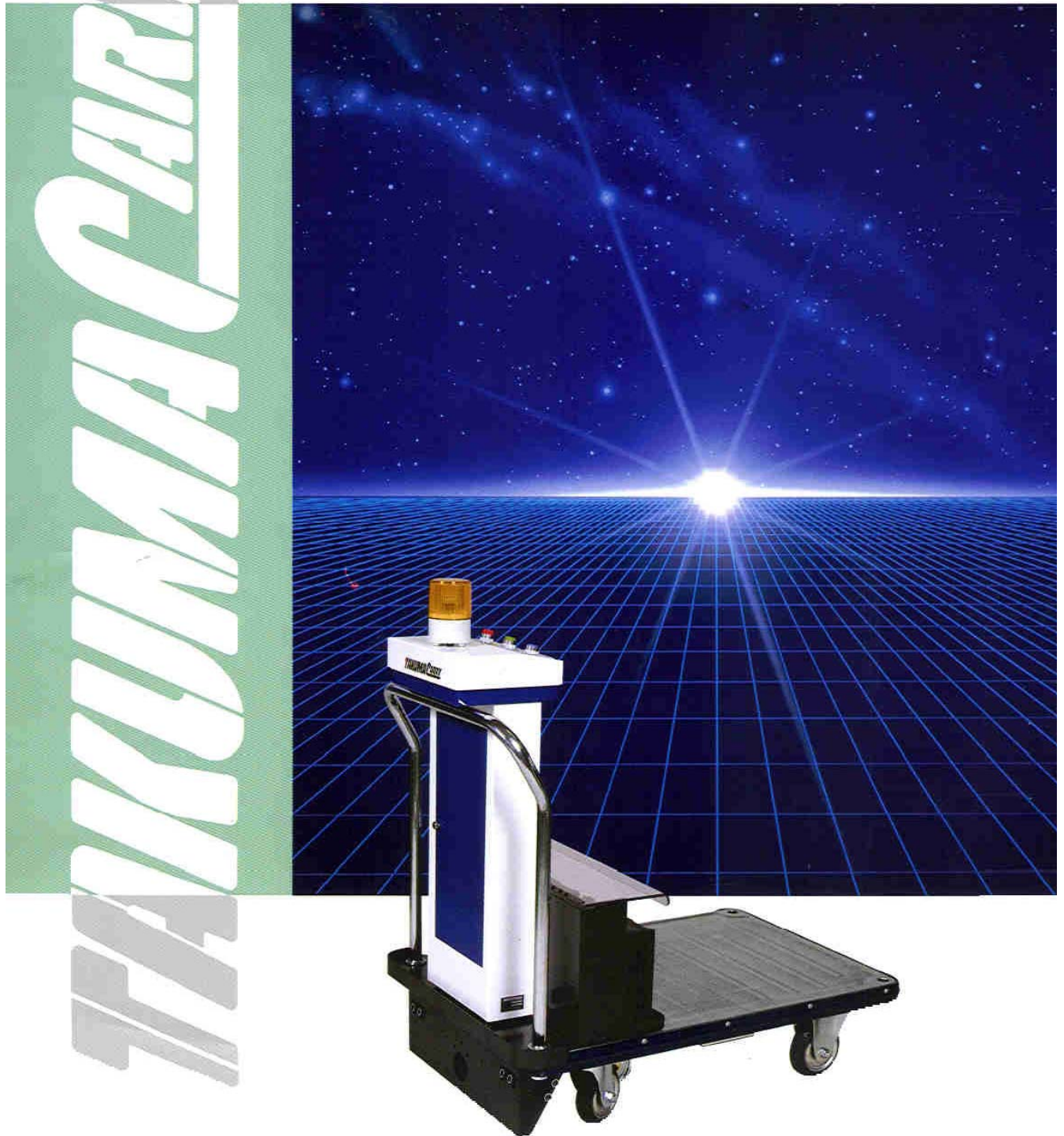


TAKUMA TC-900L 24 II

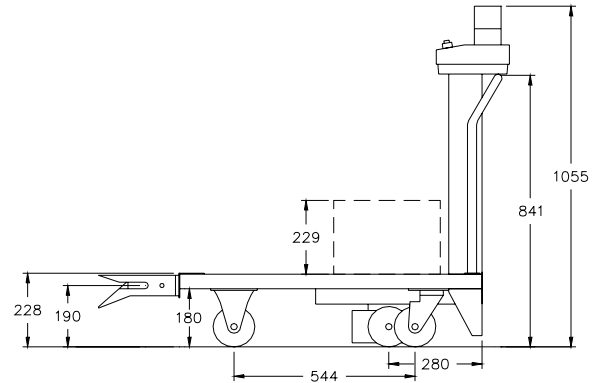
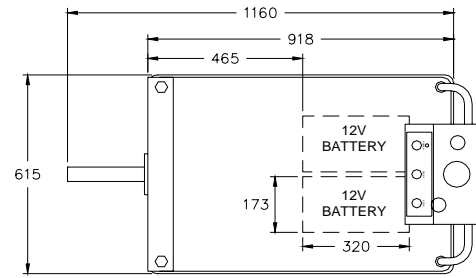
The cost effective AGC cart A reliable and un-demanding workhorse



TAKUMA TC-900L 24 II



TC-900L II 24



	TC-900L II 24 (shown)	TC-900WP 24
Pulling Force	54lbs. (25kg)	64.8lbs. (30kg)
Approx. Pulling Weight	864lbs. (400kg)	1,080lbs. (500kg)
Operational Hours	8 hours with 105 Ah battery	6 hours with 105 Ah battery
Guiding Method	Optical (AL tape) or Magnetic Tape Guidance, or both	
Min. Rotating Radius	1.3 inches (350mm)	2.3 inches (600mm)
Battery Specification	Two 12V Batteries (24V)	
Operating Speed	82 ft (25m) per minute	
Dimensions	900mm (L) x 600mm (W) x 215mm (H)	
Standard Equipment	Warning light, Melody Unit, Ultra-Sonic Sensor, Manual Push Mode	
Drive	Two Wheel Drive	Four Wheel Drive